

Model with ISO thread: Install with the sealing ring.

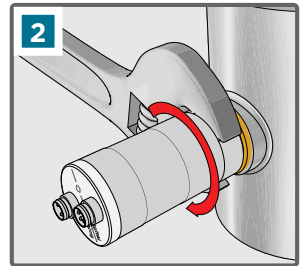
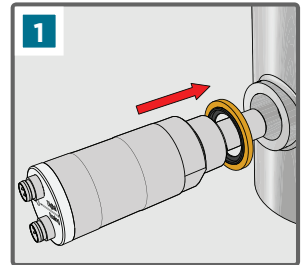
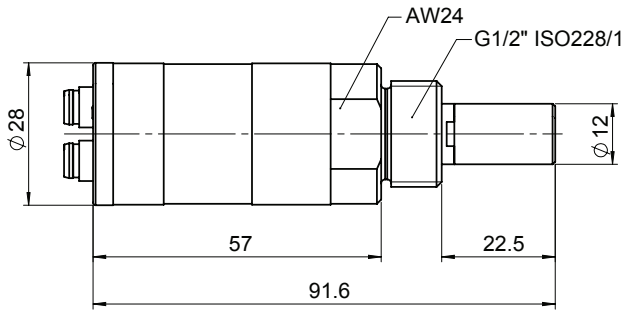
Modell mit ISO-Gewinde: Mit Dichtring montieren.

Modèle avec filetage ISO : Poser avec la rondelle d'étanchéité.

Modelo com rosca ISO: Instale com o lacre.

ISO ねじ付きのモデル：シーリングリングとともに取り付けます。

带 ISO 螺纹的型号：使用密封圈进行安装。



Model with NPT thread.

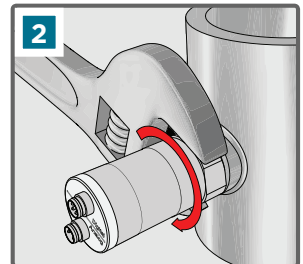
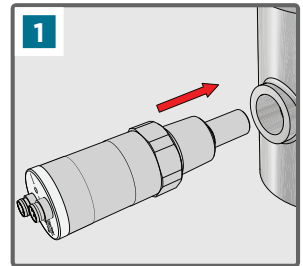
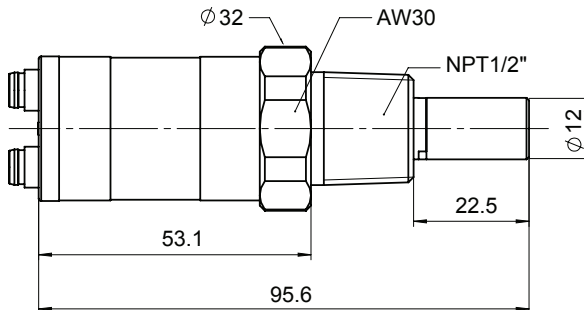
Modell mit NPT-Gewinde.

Modèle avec filetage NPT.

Modelo com rosca NPT.

NPT ねじ付きのモデル.

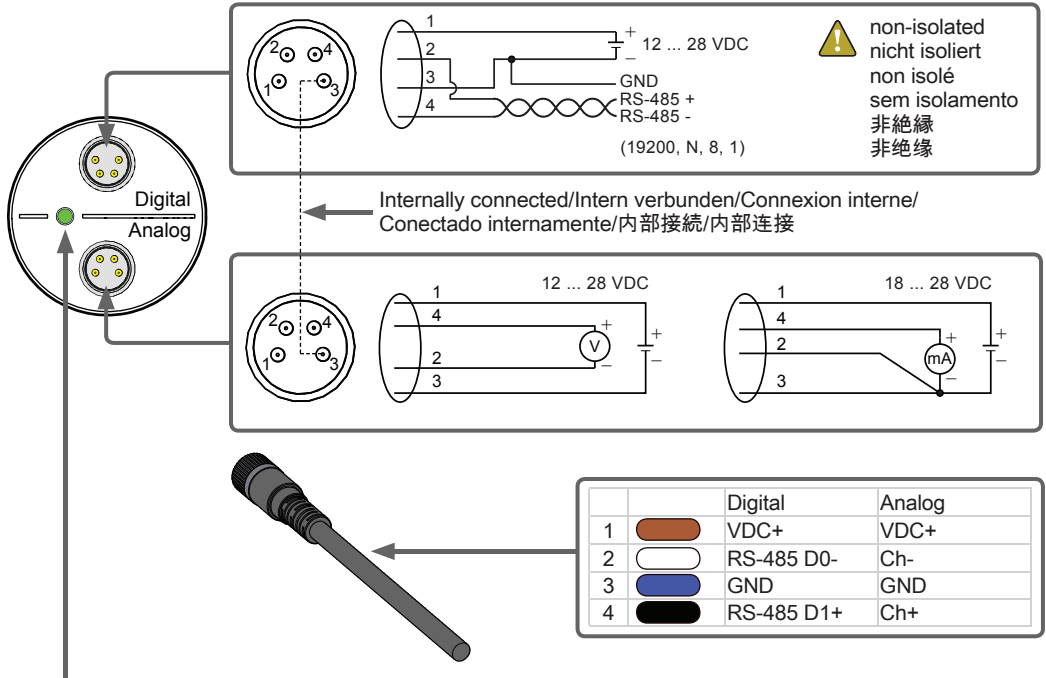
带 NPT 螺纹的型号.



DOWNLOAD THE FULL MANUAL (IN ENGLISH) FROM WWW.VAISALA.COM/DMT143
 VOLLSTÄNDIGES HANDBUCH (ENGLISCH) ALS DOWNLOAD VERFÜGBAR UNTER WWW.VAISALA.COM/DMT143
 TÉLÉCHARGER LE MANUEL COMPLET (EN ANGLAIS) SUR WWW.VAISALA.COM/DMT143
 BAIXE O MANUAL COMPLETO (EM INGLÊS) EM WWW.VAISALA.COM/DMT143
 詳細な取扱説明書 (英語) は、www.vaisala.com/DMT143 からダウンロードしてください
 从 www.vaisala.com/DMT143 下载完整的手册 (英文版)

Wiring

Verdrahtung/Câblage/Fiação/配線/接线



<p>OK, power on</p> <p>OK, einschalten</p> <p>OK, sous tension</p> <p>Ligado</p> <p>OK、電源オン</p> <p>正常、电源打开</p>	<p>Blinking green: Autocalibration</p> <p>Grün blinkend: Autokalibrierung</p> <p>Vert clignotant : auto-étalonnage</p> <p>Luz verde piscando: autocalibração</p> <p>緑点滅：自動校正</p> <p>绿灯闪烁：自动校准</p>	<p>Dewpoint above limit</p> <p>Taupunkt über dem Grenzwert</p> <p>Point de rosée supérieur à la limite</p> <p>Ponto de condensação acima do limite</p> <p>露点上限超過</p> <p>露点超出限值</p>	<p>Blinking red: Error</p> <p>Rot blinkend: Fehler</p> <p>Rouge clignotant : erreur</p> <p>Luz vermelha piscando: erro</p> <p>赤点滅：エラー</p> <p>红灯闪烁：错误</p>
--	---	--	--

No part of this manual may be reproduced in any form or by any means, electronic or mechanical (including photocopying), nor may its contents be communicated to a third party without prior written permission of the copyright holder. The contents are subject to change without prior notice. Please observe that this manual does not create any legally binding obligations for Vaisala towards the customer or end user. All legally binding commitments and agreements are included exclusively in the applicable supply contract or Conditions of Sale.

